



McElroy Manufacturing, Inc.
The leader by design.
Tulsa, Oklahoma U.S.A.

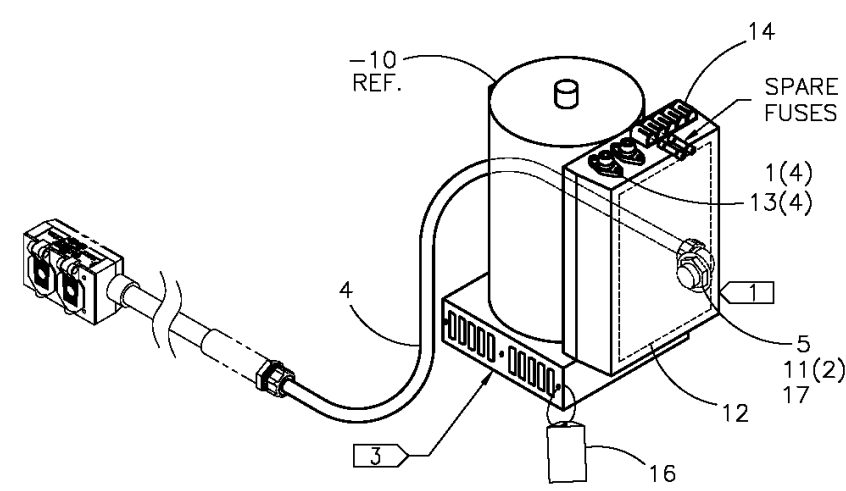
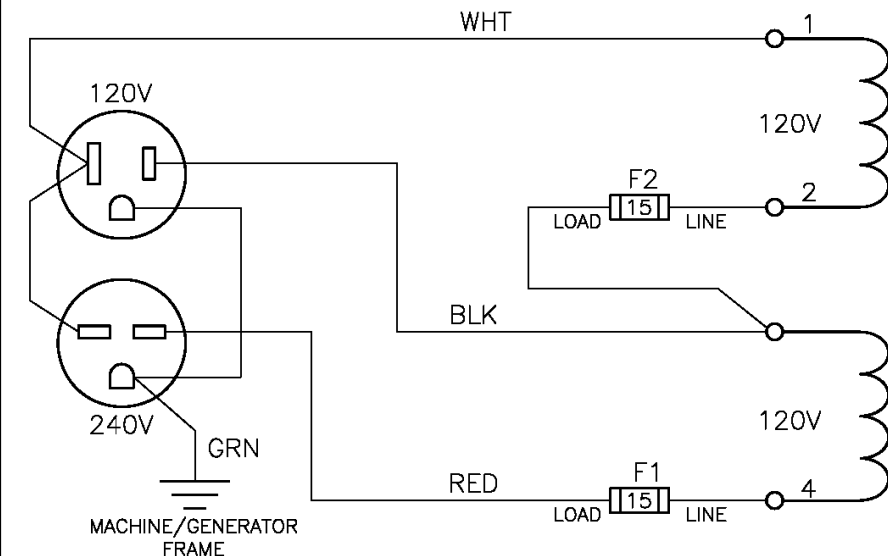
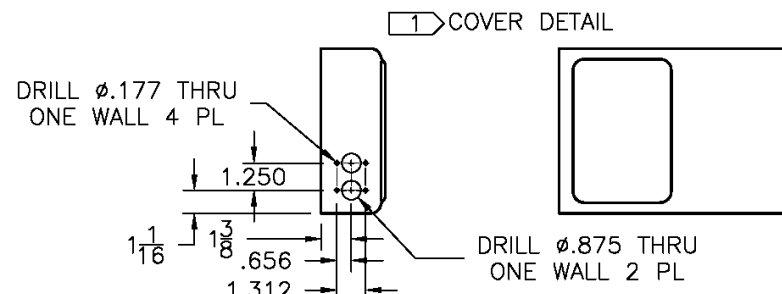
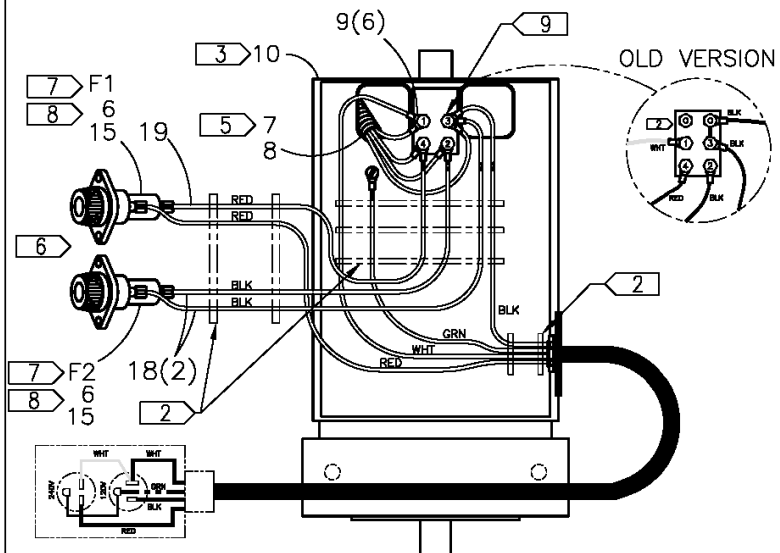
DRAWN: MLM	CHECK: RAD	APPRV'D: SWB	DATE: 7/22/00	DWG No: T1201700	SHT No: 1	REV No: AA	PART No: T1201701
ROLLING 412 / 618 / TracStar 28 GENERATOR W/WIRING ASSEMBLY							CAD No: T1201701

NOTE: THIS DRAWING AND THE INFORMATION CONTAINED THEREIN IS THE CONFIDENTIAL AND PROPRIETARY PROPERTY OF McElroy Manufacturing, Inc. THE DRAWING IS NOT TO BE REPRODUCED IN ANY MANNER, SUBMITTED OUTSIDE PARTIES FOR EXAMINATION, OR USED DIRECTLY OR INDIRECTLY FOR THE PURPOSES OTHER THAN THOSE FOR WHICH IT WAS FURNISHED WITHOUT WRITTEN PERMISSION OF McElroy Manufacturing, Inc.

NOTES:

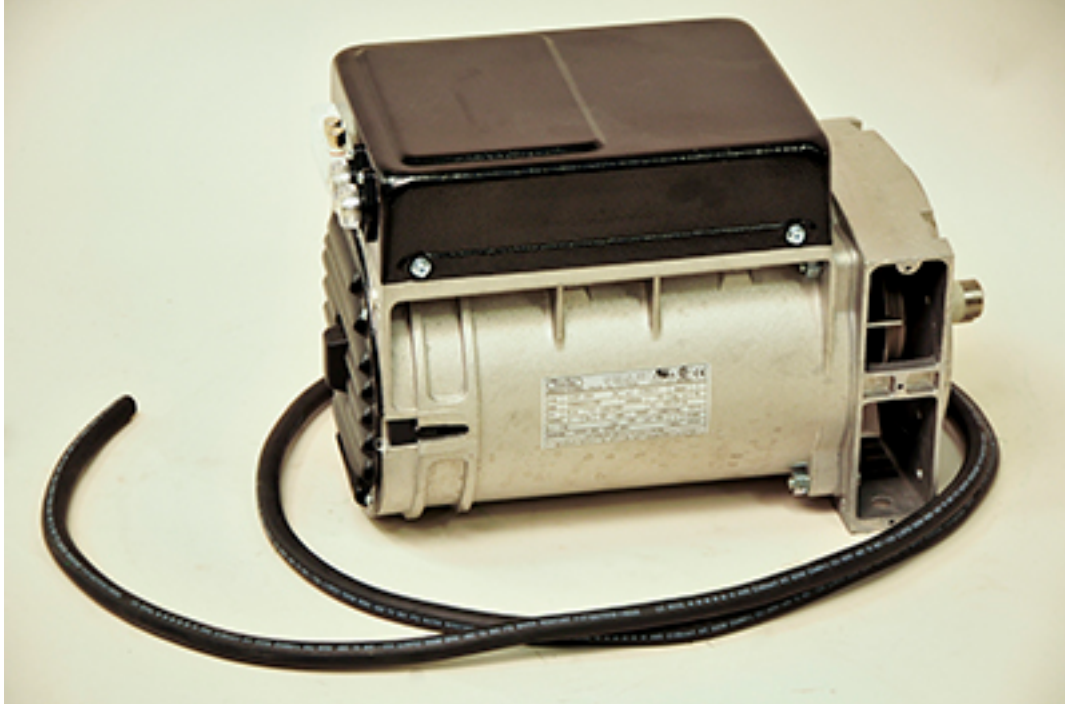
1. MODIFY GENERATOR COVER PER COVER DETAIL.
2. SECURE WIRES WITH ITEM 8 SPACED AS NEEDED TO LIMIT VIBRATION.
3. SIDE LOUVER PANEL (MDC00048) & END LOUVER PANEL (MDC00049) AND ATTACHMENT SCREWS (MDC00050) INCLUDED WITH ITEM 10 AND INSTALLED AT FINAL ASSEMBLY.
4. ITEMS SHOWN IN PARENTHESIS REFLECT QUANTITIES IN A LOCAL GROUP AND MAY NOT INDICATE TOTAL ASSEMBLY QUANTITIES.
5. COVER WIRES WITH TUBING AS FAR AS POSSIBLE INSIDE THE GENERATOR FRAME. SECURE WITH CABLE TIE.
6. INSTALL F1 AND F2 WITH RED INDICATOR TOWARD CLEAR CAP.
7. SCRAPE TERMINALS AND TIN WIRES PRIOR TO SOLDERING TO INSURE GOOD CONTINUITY.
8. SOLDER CONNECTIONS AND COVER WITH SHRINK SLEEVING (ITEM 15).
9. REMOVE ANY JUMPER STRAPS PRIOR TO WIRING NEW CONNECTIONS.

VIEW WITH COVER REMOVED



McElroy Manufacturing Parts List

Part Number: T1201701 Rolling 412/618/TracStar 28 Generator with Wiring Assembly (SEE ADDITIONAL DOCUMENTS BELOW)



Rlg 12/18/t28 gen w/wiring asy

Part Number T1201701 Component List

Item	Component	Description	Quantity	Unit	Price
F1	MLQ00078	15 Amp Non-rejection Fuse	1.0	EA	26.13
F2	MLQ00078	15 Amp Non-rejection Fuse	1.0	EA	26.13
1	MAH00034	#8-32NCX1/2LG RhsmS	4.0	EA	1.06
4	T1201703	Generator Cord	1.0	EA	51.37
5	MLK00040	3/4 X 90DEG Strain Relief Conn	1.0	EA	45.40
6	MLR00032	Panel Mount Fuse Holder	2.0	EA	32.17
7	MLW00011	1/2DIA Split Corrugated Tubing	0.13	FT	0.00
8	MLN00113	5.5" X .095" Cable Tie	8.0	EA	0.15
9	MLM00133	14-16 X #10 Ring Terminal	6.0	EA	0.76
10	MDC00027	5KVA 60/120/240V,60HZ AC Gen	1.0	EA	1,091.00
11	MLJ00082	1-1/4X3/4 Reducer Washer	2.0	EA	1.86
12	MJQ00381	Damping Sheet	0.03	EA	73.24
13	MBC00003	#8-32NC Mach Scr Nyl Lck Nut	4.0	EA	0.78
14	MLR00033	Spare Fuse Holder	1.0	EA	26.98
15	MLW00009	1/4"ADH Lined Shrink Tubn	3.96	IN	3.40
16	8163188	Non-gfci Generator Label	1.0	EA	24.20
17	MLN00362	3/4" Elec Lock Nut	1.0	EA	1.00
18	MLL00002	#14 Mtw/tew Elec Wire, Black	2.7	FT	0.00
19	MLL00058	#14 Mtw/tew Wire, Red	1.3	FT	0.46

Please visit <https://fusion.mcelroy.com/parts> to purchase parts or for more information.